

COLLECTION 2

CLASSIC



MAISON VERVLOET

SINCE 1905

HANDMADE FOR HANDS



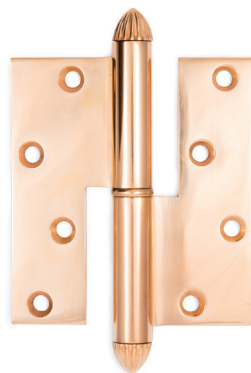
KEY / CYLINDER
ESCUTCHEON



ROSE 2



FURNITURE KNOB 2



HINGE 2000 / FINIALS 2



LEVER HANDLE ON ROSE 2



DOORSTOP 2



RIM LOCK WITH OLIVE 2



PULL
HANDLE 2



LEVER HANDLE
ON PLATE 2



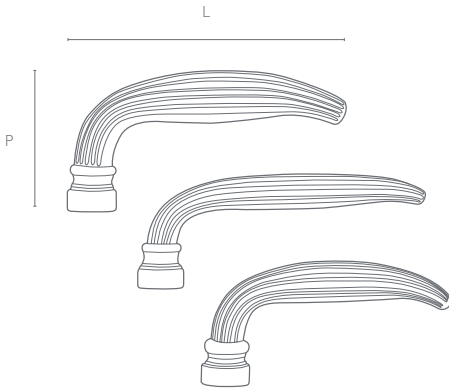
THUMB TURN
ON ROSE 2



LEVER HANDLE 2 (S/M/L)

COLLECTION 2

CLASSIC

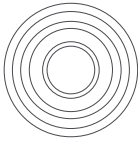


LEVER HANDLE 2

Lever Handle S : 110 mm x 50 mm (LxP)

Lever Handle M : 130 mm x 45 mm (LxP)

Lever Handle L : 125 mm x 60 mm (LxP)



ROSE 2

Ø 30 - 45 - 55 mm

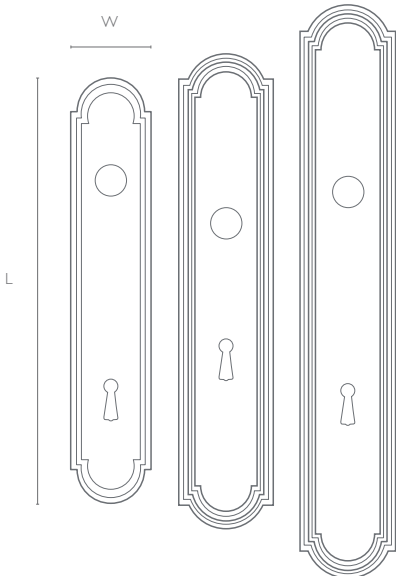


PLATE 2

Plate S : 225 mm x 45 mm (LxW)

Plate M : 250 mm x 50 mm (LxW)

Plate L : 300 mm x 50 mm (LxW)

MAISON VERVLOET

SINCE 1905

HANDMADE FOR HANDS



Vervloet is an outstanding reference with more than a century of experience in the field of decorative hardware. Every piece of Vervloet's collection is moulded and cast in the purest bronzes and brasses, then chased and finished by highly qualified craftsmen. The company offers a vast range of possibilities. Thousands of models, result of several generations of master bronze craftsmen.

All the different stages of manufacturing (casting, chiseling, adjusting, polishing, gilding) have been integrated in Vervloet's workshop and are carried out by craftsmen for whom "art" still means something. Our process is in no way to be compared with the chain – worked industrial products.

Vervloet pieces produced are real jewels, each one finished by hand.



Rue de la Borne 78 | 1080 Brussels | Belgium

T +32 (0) 2 410 61 50 | F +32 (0) 2 410 63 81

info@vervloet.com | www.vervloet.com